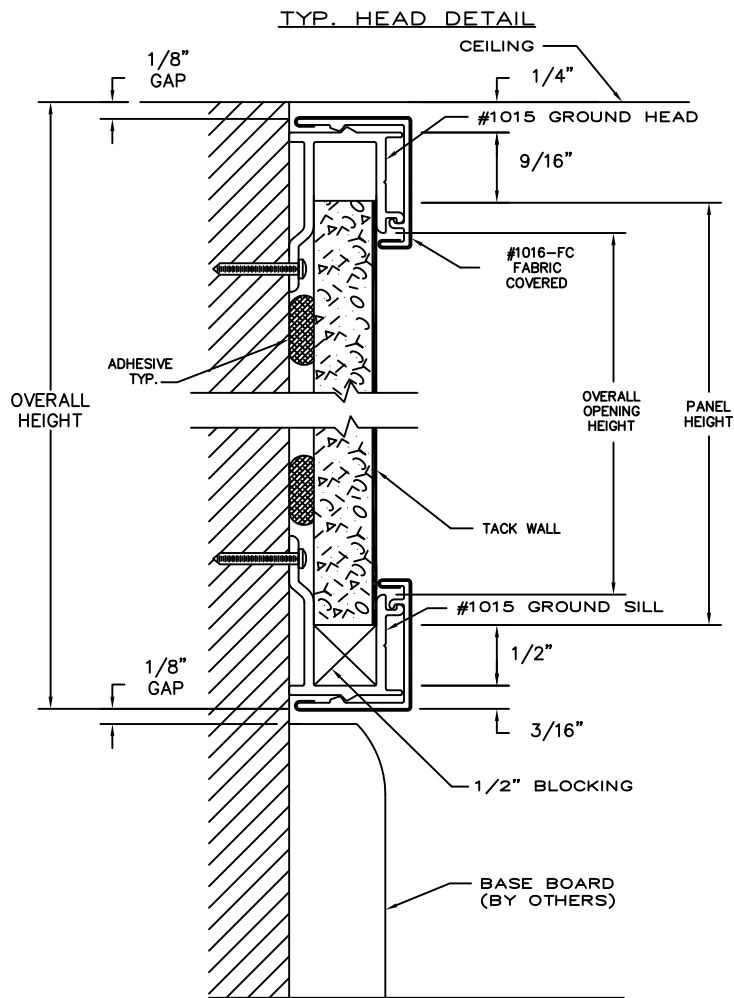
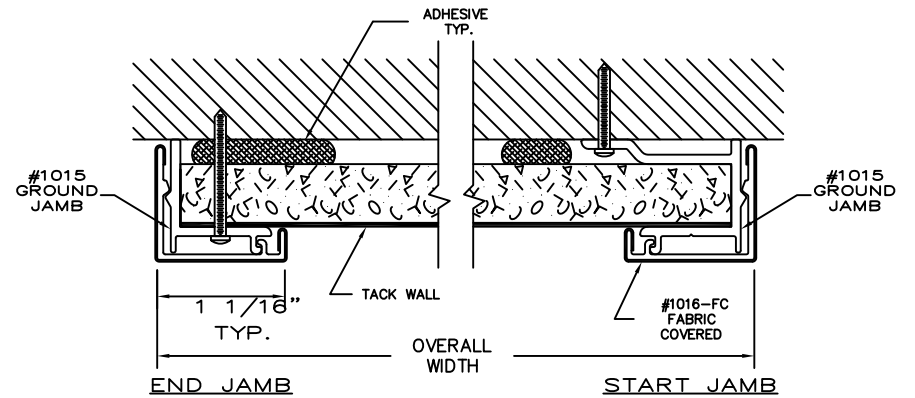
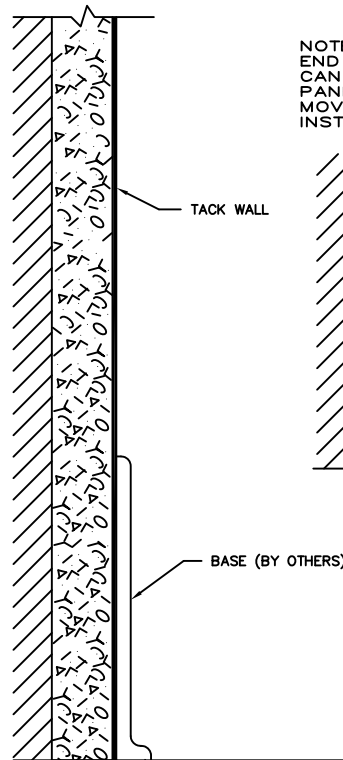


CLARIDGE TACK WALL UNITS TRIM SECTION DETAILS



TYP. SILL DETAIL



NOTE:
END JAMB TRIM WITH BACK LEG REMOVED
CAN BE INSTALLED DIRECTLY OVER END OF
PANEL WITHOUT REQUIRING ANY SIDEWAYS
MOVEMENT, THUS ALLOWING WALL TO WALL
INSTALLATION.

NOTE:
AFTER FIRST PANEL IS
SEATED IN HEAD AND SILL
TRIM IT MUST BE MOVED
SIDEWAYS TO SLIDE INSIDE
JAMB TRIM.

