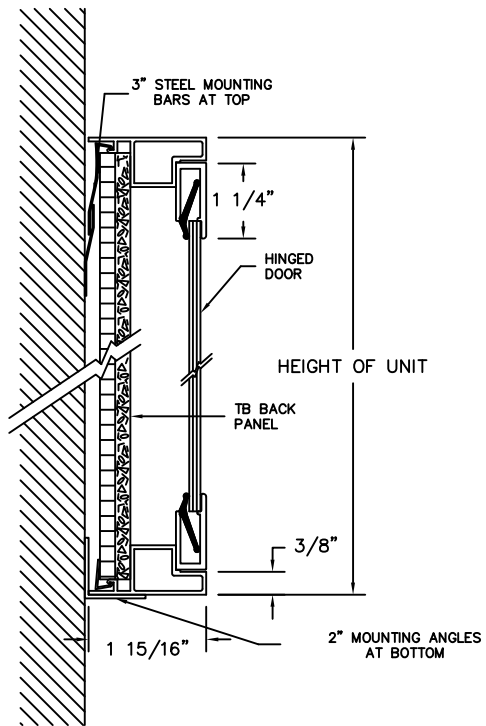
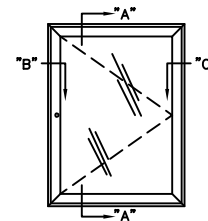
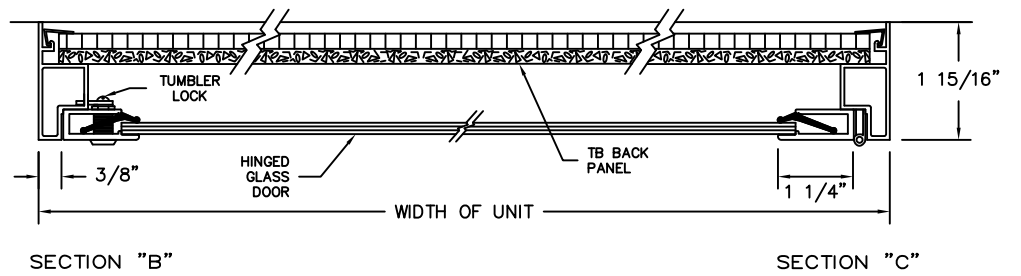


CLARIDGE FACTORY BUILT
RIVAL SERIES SINGLE DOOR
BULLETIN BOARD CABINET



SECTION "A-A"



NO.	O. A. SIZE H-W
363	24" X 18"
365	36" X 24"
366	36" X 30"
367	42" X 30"