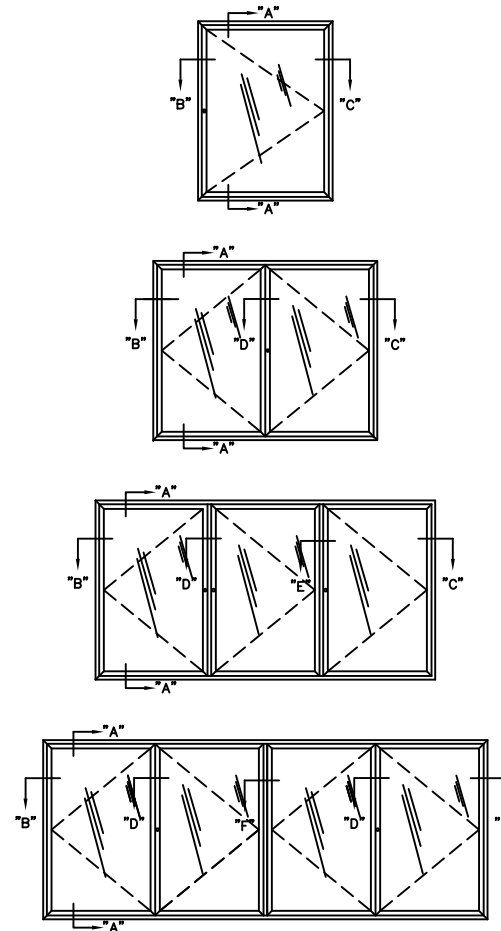
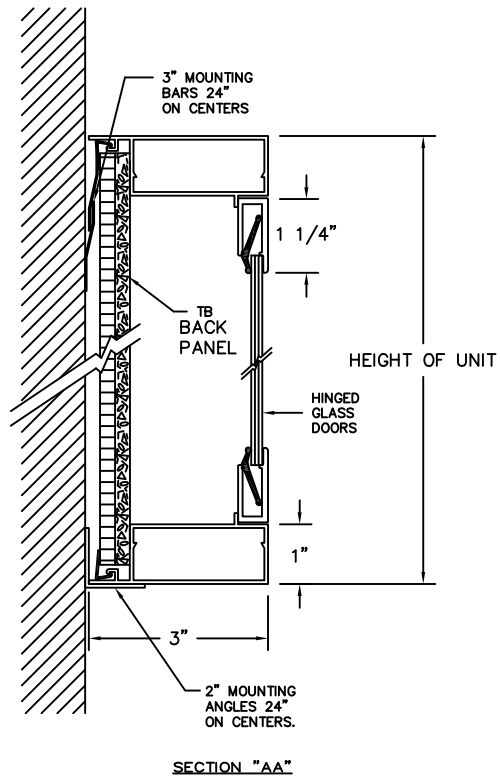


CLARIDGE REVERE BULLETIN BOARD CABINET



NO.	O.A. SIZE H-W	NO. DOORS
3520	3' X 2'	1
3620	3' X 2' 6"	1
3720	3' X 3'	1
3820	3' 6" X 2' 6"	1
3920	3' 6" X 3'	1
4020	4' X 4'	2
4120	3' X 4'	2
4220	3' 6" X 5'	2
4320	4' X 5'	2
4420	4' X 6'	2
4520	4' X 7'	3
4620	4' X 8'	4
4820	4' X 10'	4
5020	4' X 12'	4

