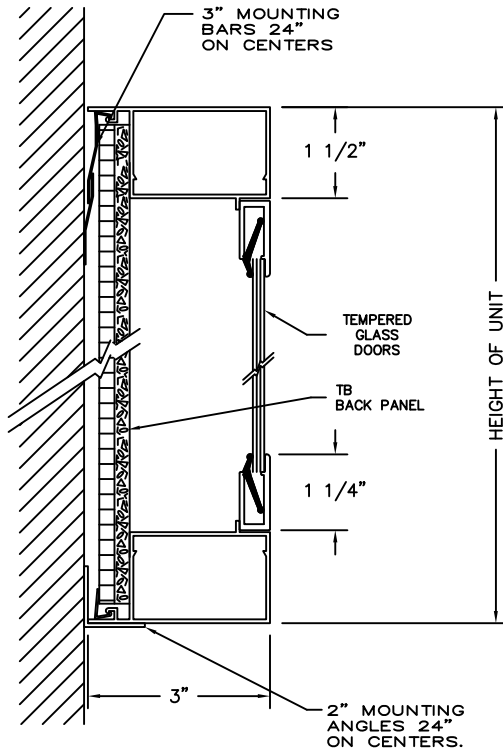
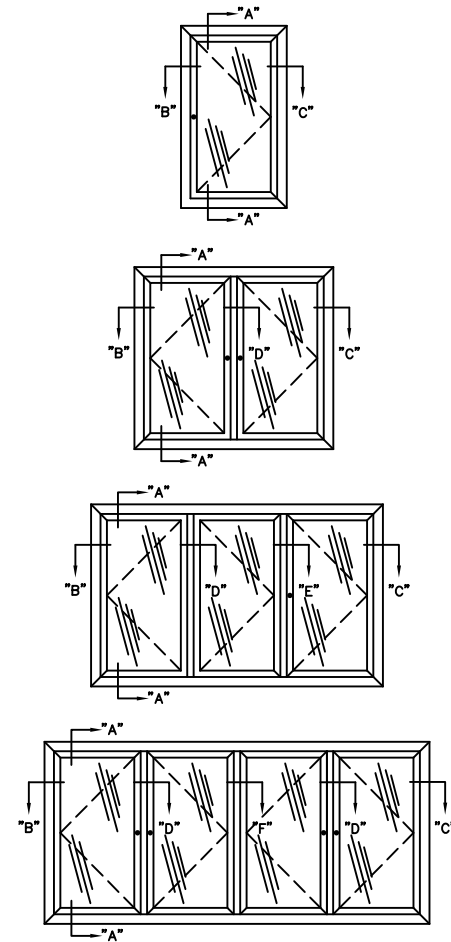


**CLARIDGE CONTEMPORARY
BULLETIN BOARD CABINETS
WITH HINGED DOORS**



SECTION "A-A"



NO.	O.A. SIZE H-W	NO. DOORS
2035	3'x2'	1
2036	3'x2'6"	1
2037	3'x3'	1
2038	3'6"x2'6"	1
2039	3'6"x3'	1
2040	4'x4'	2
2041	3'x4'	2
2042	3'6"x5'	2
2043	4'x5'	2
2044	4'x6'	2
2045	4'x7'	3
2046	4'x8'	4
2048	4'x10'	4
2050	4'x12'	4

