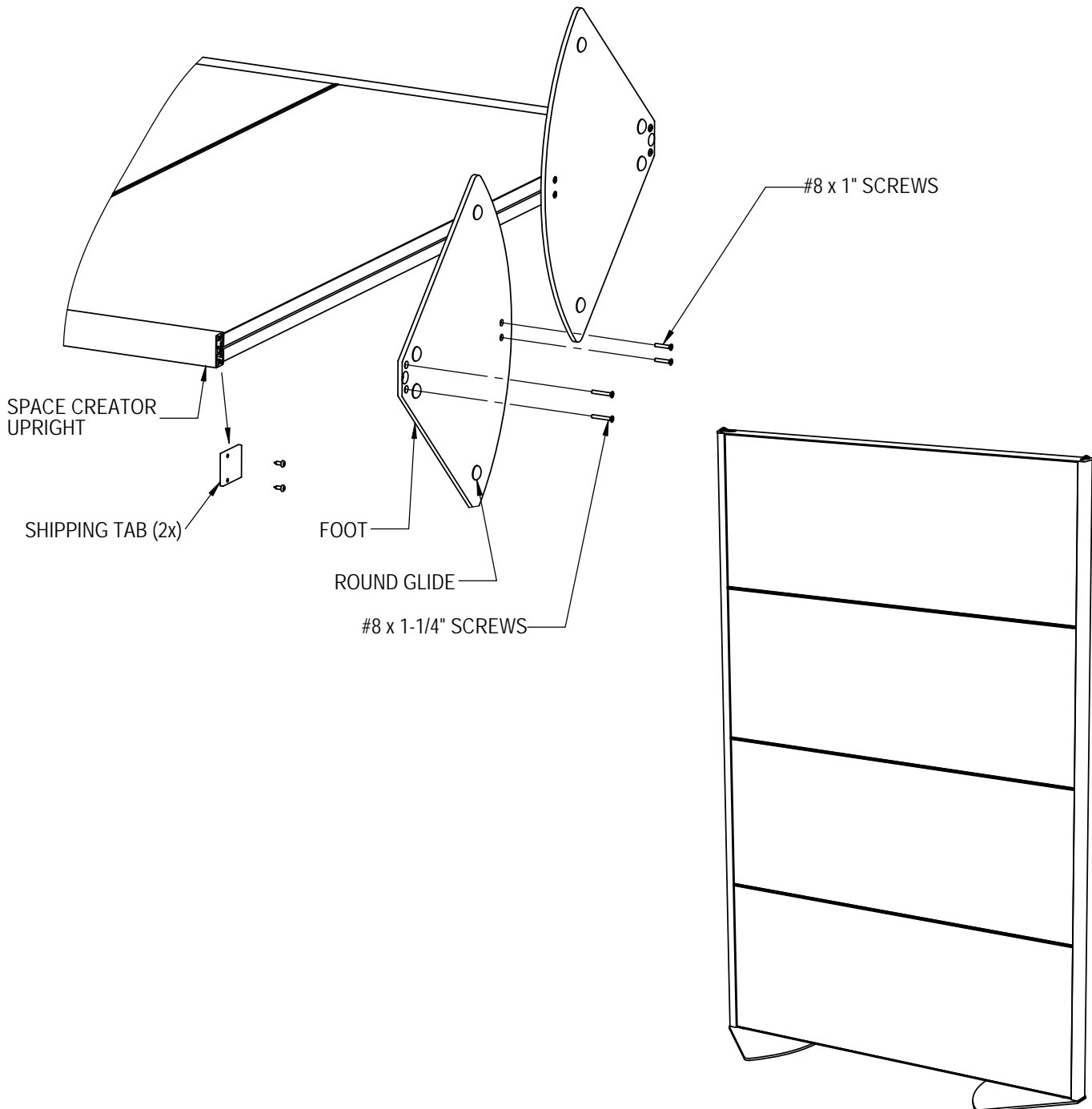


# SPACE CREATOR INSTALLATION - Foot assembly

**\*\*NOTE: THE SPACE CREATOR CAN BE HEAVY. ASSISTANCE IS SUGGESTED WHEN MOVING THE UNIT.**

1. Lay the Space Creator on a flat surface such that the bottom ends of the uprights can be accessed.
2. Remove the aluminum shipping tabs from the bottom end of the uprights and recycle.
3. Orient the feet in a manner that ensures the round plastic glides contact the floor when the unit is in use.
4. Using the #8 x 1.25" long screws and #8 x 1" long screws provided, attach the two feet to the uprights and lower edge of the bottom panel. The 1.25" long are to be used in the outer most holes while the 1" screws are used in the inner holes.



# SPACE CREATOR INSTALLATION - Connecting multiple units

1. Attach link(s) to top of the space creators with provided screws and washers as shown in view 1 below. Remove the 5/16" machine screw from the top of the Space Creator on the end with no link attached.
2. Rotate the link of the mating Space Creator into position over the hole in the top of the first Space Creator.
3. Use the screw and washer removed in the first step to fasten the link to the first Space Creator.

