



Marker



Glass



Mobile

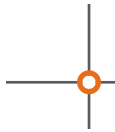


Tack



Magnetic

mobile markerboards

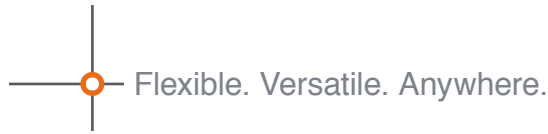
 Flexible. Versatile. Anywhere.



CONNECT™ 
by Claridge®

let your ideas flow™

mobiles

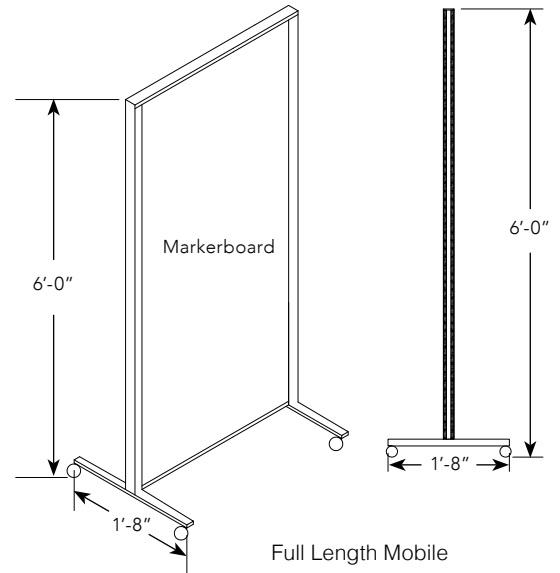


Capture ideas anywhere! Ideal solution for impromptu brainstorming sessions. Available with any combination of LCS³ porcelain markerboard, glass markerboard, or tackboard surfaces. Double-sided mobiles enhance the look of any space while providing productivity.

- Mobile markerboards available in three widths – 30", 36" and 48"
- Glass mobiles in widths up to 42"
- Custom sizes available
- Aluminum frame with satin finish; powder coat paint optional
- Base has locking casters
- Multiple styles – full height, open or with tackable panel at the bottom
- 3-Wheel mobile designed for mobility in tight spaces; can be positioned between workstations

Optional Accessories include

- Magnetic Accessory Tray
- Magnetic Marker Caddy and Eraser
- Dry-Erase Markers and Eraser Cloth
- Extra-strength rare earth magnets
- Ganging mechanism for large presentations



Multiple styles. Multiple surfaces. Multiple configurations.



Full Length Mobile



Partial Height Mobile



Full Length with Tackboard at Bottom



Mobile with Credenza



3-Wheel Mobile



A-Frame Mobile